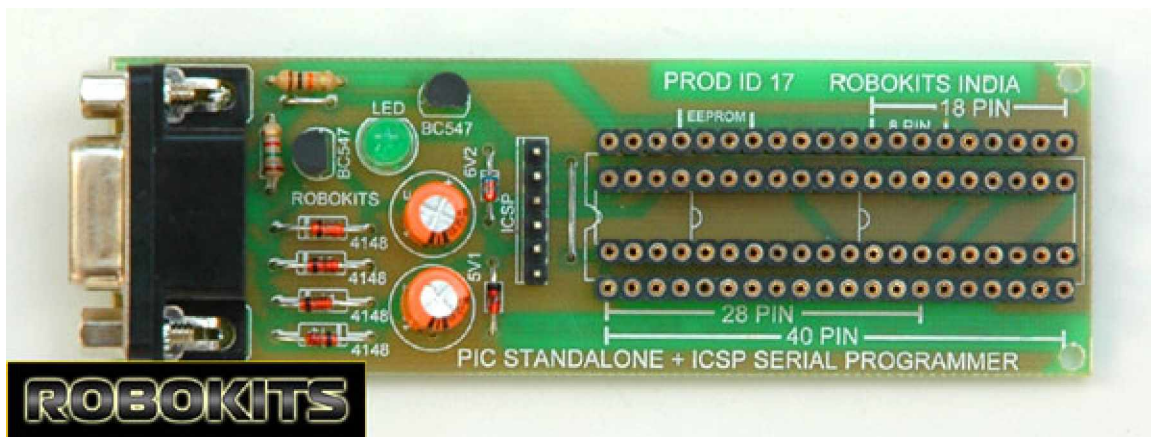




PIC Serial Port Programmer ICSP + Standalone



User Manual

Robokits India

<http://www.robokits.org>

info@robokits.org

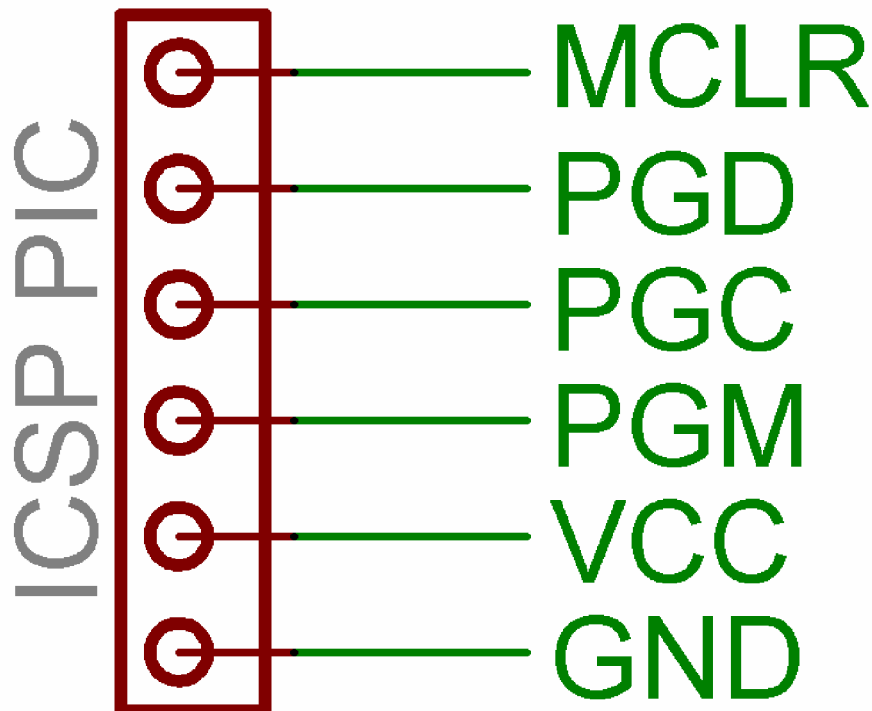


Thank you for purchasing PIC Serial Port Programmer ICSP + Standalone. This unit has been carefully engineered and tested to provide superior performance. This document covers the features and operation of PIC Serial Port Programmer ICSP + Standalone.

Features

- Small Size : 103*33mm
- 6 Pin ICSP connector
- Indicator LED
- JDM Design based versatile to use with any JDM support software
- Free source programming software's like PICPgm, WInPIC, ICProg compatible.
- Auto detects PIC in PICPgm
- Does not require any power to program in both the modes. It is generated through serial port voltages.
- Whole of PIC series and some of EEPROM's supported
- All different pin configurations supported in ICSP
- Clear indication on the PCB indicating positions of different pin configuration
- Easy to use round pin female headers for standalone system
- Low Cost

ICSP Connector



*GND terminal near to 1st pin of microcontroller



Supported PIC's

PIC	Device ID	Autodetect	Low-Voltage programmable
PIC10F200	-	no	no
PIC10F202	-	no	no
PIC10F204	-	no	no
PIC10F206	-	no	no
PIC10F220	-	no	no
PIC10F222	-	no	no
PIC12F629	0x0F80	yes	no
PIC12F635	0x0FA0	yes	no
PIC12F675	0x0FC0	yes	no
PIC12F683	0x0460	yes	no
PIC16F627	0x07A0	yes	yes
PIC16F627A	0x1040	yes	yes
PIC16F628	0x07C0	yes	yes
PIC16F628A	0x1060	yes	yes
PIC16F630	0x10C0	yes	no
PIC16F631	0x1420	yes	no
PIC16F636	0x10A0	yes	no
PIC16F639	0x10A0	yes	no
PIC16F648A	0x1100	yes	yes
PIC16F676	0x10E0	yes	no
PIC16F677	0x1440	yes	no
PIC16F684	0x1080	yes	no
PIC16F685	0x04A0	yes	no
PIC16F687	0x1320	yes	no
PIC16F688	0x1180	yes	no
PIC16F689	0x1340	yes	no
PIC16F690	0x1400	yes	no
PIC16F737	0x0BA0	yes	no
PIC16F747	0x0BE0	yes	no
PIC16F767	0x0EA0	yes	no
PIC16F777	0x0DE0	yes	no
PIC16F818	0x04C0	yes	yes
PIC16F819	0x04E0	yes	yes
PIC16F84A	0x0560	yes	no
PIC16F87	0x0720	yes	yes

PIC16F870	0x0D00	yes	yes
PIC16F871	0x0D20	yes	yes
PIC16F872	0x08E0	yes	yes
PIC16F873	0x0960	yes	yes
PIC16F873A	0x0E40	yes	yes
PIC16F874	0x0920	yes	yes
PIC16F874A	0x0E60	yes	yes
PIC16F876	0x09E0	yes	yes
PIC16F876A	0x0E00	yes	yes
PIC16F877	0x09A0	yes	yes
PIC16F877A	0x0E20	yes	yes
PIC16F88	0x0760	yes	yes
PIC16F882	0x2000	yes	yes
PIC16F883	0x2020	yes	yes
PIC16F884	0x2040	yes	yes
PIC16F886	0x2060	yes	yes
PIC16F887	0x2080	yes	yes
PIC16F913	0x13E0	yes	no
PIC16F914	0x13C0	yes	no
PIC16F916	0x13A0	yes	no
PIC16F917	0x1380	yes	no
PIC16F946	0x1360	yes	no
PIC18F1220	0x07E0	yes	yes
PIC18F1320	0x07C0	yes	yes
PIC18F2220	0x0580	yes	yes
PIC18F2221	0x2160	yes	yes
PIC18F2320	0x0500	yes	yes
PIC18F2321	0x2120	yes	yes
PIC18F2331	0x08E0	yes	yes
PIC18F2410	0x1160	yes	yes
PIC18F242	0x0480	yes	yes
PIC18F2420	0x1140	yes	yes
PIC18F2423	0x1140	yes	yes
PIC18F2431	0x08C0	yes	yes
PIC18F2450	0x2420	yes	yes
PIC18F2455	0x1260	yes	yes
PIC18F2458	0x2A60	yes	yes
PIC18F248	0x0800	yes	yes
PIC18F2480	0x1AE0	yes	yes
PIC18F2510	0x1120	yes	yes
PIC18F2515	0x0CE0	yes	yes
PIC18F252	0x0400	yes	yes
PIC18F2520	0x1100	yes	yes

PIC18F2523	0x1100	yes	yes
PIC18F2525	0x0CC0	yes	yes
PIC18F2550	0x1240	yes	yes
PIC18F2553	0x2A40	yes	yes
PIC18F258	0x0840	yes	yes
PIC18F2580	0x1AC0	yes	yes
PIC18F2585	0x0EE0	yes	yes
PIC18F2610	0x0CA0	yes	yes
PIC18F2620	0x0C80	yes	yes
PIC18F2680	0x0EC0	yes	yes
PIC18F2682	0x2700	yes	yes
PIC18F2685	0x2720	yes	yes
PIC18F4220	0x05A0	yes	yes
PIC18F4221	0x2140	yes	yes
PIC18F4320	0x0520	yes	yes
PIC18F4321	0x2100	yes	yes
PIC18F4331	0x08A0	yes	yes
PIC18F4410	0x10E0	yes	yes
PIC18F442	0x04a0	yes	yes
PIC18F4420	0x10C0	yes	yes
PIC18F4423	0x10C0	yes	yes
PIC18F4431	0x0880	yes	yes
PIC18F4450	0x2400	yes	yes
PIC18F4455	0x1220	yes	yes
PIC18F4458	0x2A20	yes	yes
PIC18F448	0x0820	yes	yes
PIC18F4480	0x1AA0	yes	yes
PIC18F4510	0x10A0	yes	yes
PIC18F4515	0x0C60	yes	yes
PIC18F452	0x0420	yes	yes
PIC18F4520	0x1080	yes	yes
PIC18F4523	0x1080	yes	yes
PIC18F4525	0x0C40	yes	yes
PIC18F4550	0x1200	yes	yes
PIC18F4553	0x2A00	yes	yes
PIC18F458	0x0860	yes	yes
PIC18F4580	0x1A80	yes	yes
PIC18F4585	0x0EA0	yes	yes
PIC18F4610	0x0C20	yes	yes
PIC18F4620	0x0C00	yes	yes
PIC18F4680	0x0E80	yes	yes
PIC18F4682	0x2740	yes	yes
PIC18F4685	0x2760	yes	yes

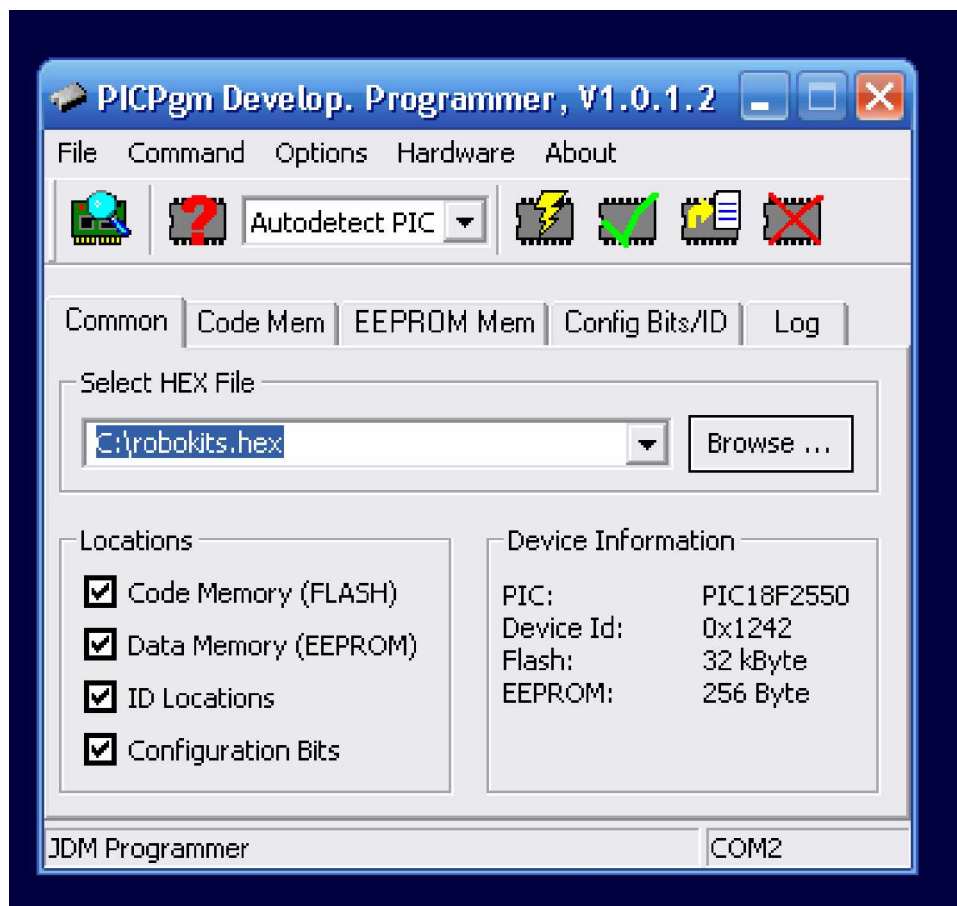
PIC18F6520	0x0B20	yes	yes
PIC18F6527	0x1340	yes	yes
PIC18F6585	0x0A60	yes	yes
PIC18F6620	0x0660	yes	yes
PIC18F6622	0x1380	yes	yes
PIC18F6627	0x13C0	yes	yes
PIC18F6680	0x0A20	yes	yes
PIC18F6720	0x0620	yes	yes
PIC18F6722	0x1400	yes	yes
PIC18F8520	0x0B00	yes	yes
PIC18F8527	0x1360	yes	yes
PIC18F8585	0x0A40	yes	yes
PIC18F8620	0x0640	yes	yes
PIC18F8622	0x13A0	yes	yes
PIC18F8627	0x13E0	yes	yes
PIC18F8680	0x0A00	yes	yes
PIC18F8720	0x0600	yes	yes
PIC18F8722	0x1420	yes	yes

NOTE: The programmer may not work with low power serial interfaces - i.e. laptop or notebook serial ports. USB to serial cables have also not been proven to work.



Using Programmer with PICPGM

- Install PICPgm
- Open PICPgm software
- Connect programmer to your serial port
- Put a chip in standalone system as per the pin configuration
- If you are not using COM1 select Hardware -> Hardware selection/Configuration and change COM Port
- Select Command -> Autodetect PIC
- The screen will be as follows

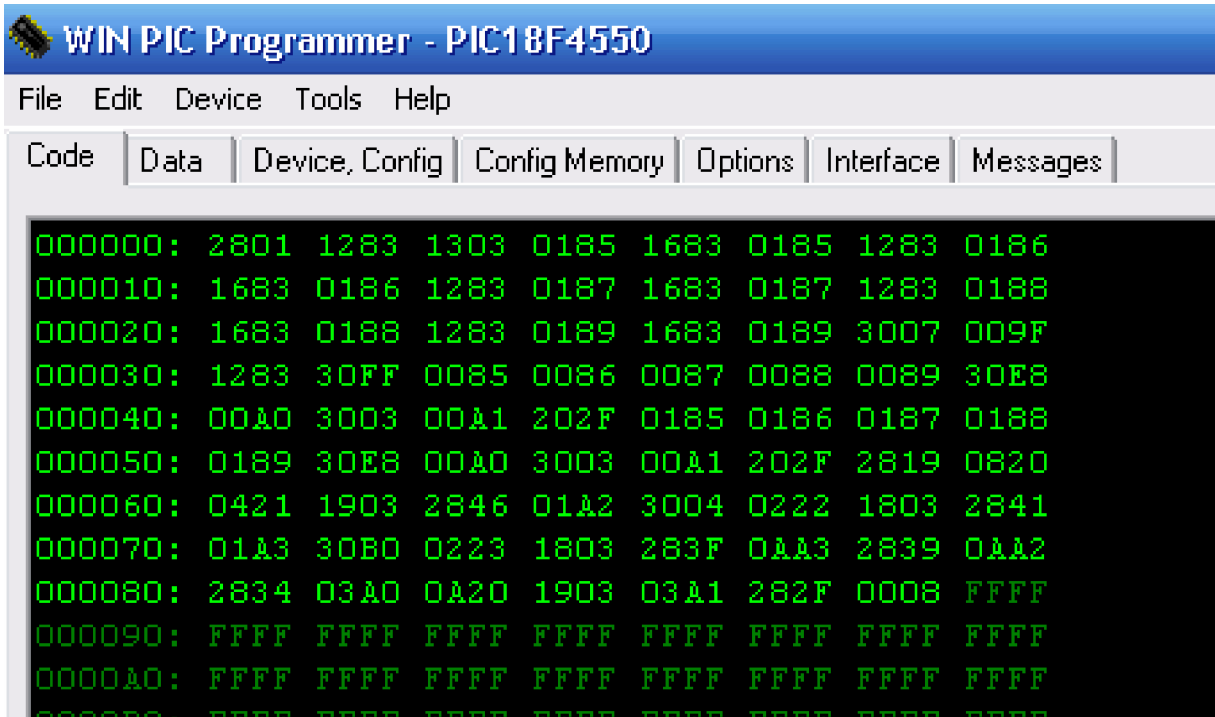


- If everything is correct the device will be identified and you will see device information on right bottom corner.
- To program a hex file brows from location and select command -> Program PIC.



Using Programmer with WINPIC

- Install WINPIC
- Open WINPIC software
- Connect programmer to your serial port
- Put a chip in standalone system as per the pin configuration
- This programmer does not identify PIC automatically so select PIC chip in device, config tab
- Select proper COM port in Interface tab select default com84 serial programmer and click initialize
- Select File-> Load to open a hex file and select Device->Program to program the chip.





Service and Support

Service and support for this product are available from Robokits India. The Robokits Web site (<http://www.robokits.org>) maintains current contact information for all Robokits products.

Limitations and Warrantees

The PIC Serial Port Programmer ICSP + Standalone is intended for personal experimental and amusement use and in no case should be used where the health or safety of persons may depend on its proper operation. Robokits provides no warrantee of suitability or performance for any purpose for the product. Use of the product software and or hardware is with the understanding that any outcome whatsoever is at the users own risk. Robokits sole guarantee is that the software and hardware perform in compliance with this document at the time it was shipped to the best of our ability given reasonable care in manufacture and testing. All products are tested for their best performance before shipping, and no warranty or guarantee is provided on any of them. Of course the support is available on all of them for no cost.

Disclaimer

Copyright © Robokits India, 2006

Neither the whole nor any part of the information contained in, or the product described in this manual, may be adapted or reproduced in any material or electronic form without the prior written consent of the copyright holder.

This product and its documentation are supplied on an as-is basis and no warranty as to their suitability for any particular purpose is either made or implied.

This document provides preliminary information that may be subject to change without notice.